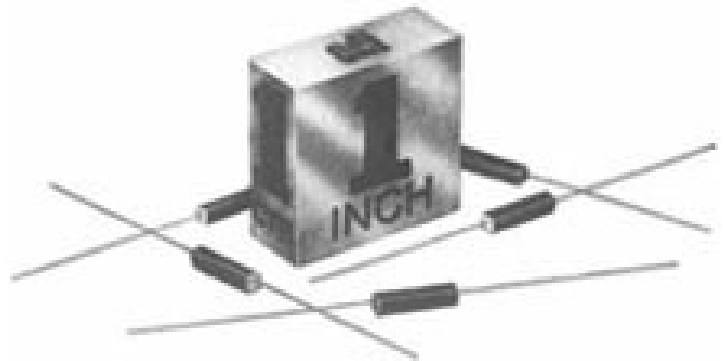




# SL300 thru SL 1200

FAST RECOVERY, 100ns.HIGH VOLTAGE  
40 ma, MINIATURE RECTIFIERS

- 1 INCH MINIMUM LEADS
- SMALL SIZE MOLDED PACKAGE
- PRV 3,000 TO 12,000 VOLTS
- AVALANCHE CHARACTERISTICS
- LOW LEAKAGE



EDI Type	PRV Volts
SL300	3,000
SL500	5,000
SL800	8,000
SL1000	10,000
SL1200	12,000

## ELECTRICAL CHARACTERISTICS (at T<sub>A</sub>=25 °C Unless Otherwise Specified)

Average Rectified Forward Current @ 50°C, I <sub>o</sub>	40 mA
Max. Peak Surge Current, I <sub>FSM</sub> (8.3ms) (Fig.2)	3 Amp
Max. Reverse Recovery (Fig.4) t <sub>rr</sub>	100nanosec
Max. Forward Voltage Drop @ 25 mA, V <sub>F</sub>	26Volts
Max. DC Reverse Current @ PRV and 25°C, I <sub>R</sub>	1 μA
Max. DC Reverse Current @ PRV and 100°C, I <sub>R</sub>	15 μA
Ambient Operating Temperature Range, T <sub>A</sub>	-55 °C to +150 °C
Storage Temperature Range, T <sub>STG</sub>	-55 °C to +150 °C

### NOTES:

- 1.It is recommended that a proper heat sink be used on the terminals of this device between the body and soldering point to prevent damage from excess heat.
- 2.If operated over 10,000v/inch in length, devices should be immersed in oil or re - encapsulated.

EDI reserves the right to change these specifications at any time without notice.

# SL300 thru SL1200

FIG.1

OUTPUT CURRENT vs AMBIENT TEMPERATURE

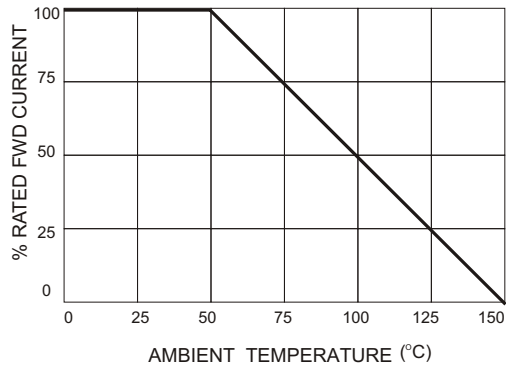


FIG.2

NON-REPETITIVE SURGE CURRENT

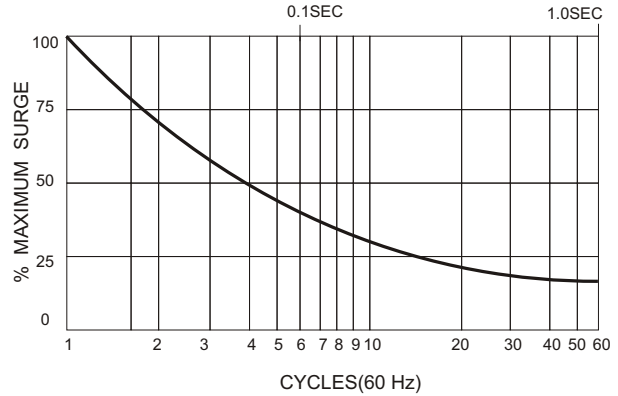


FIG.3

MECHANICAL

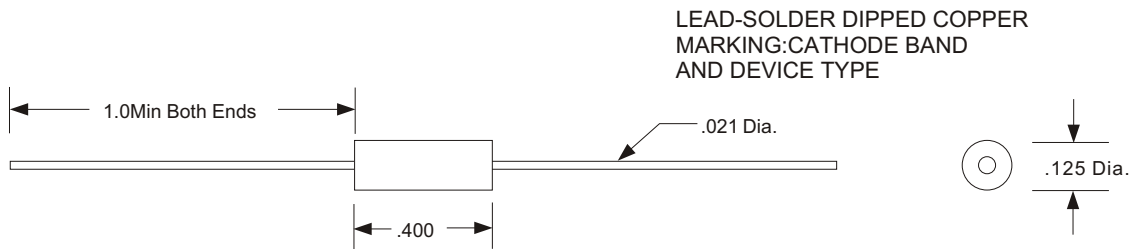
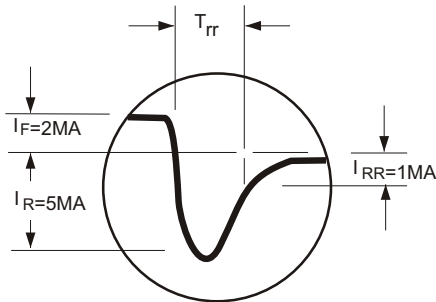


FIG.4

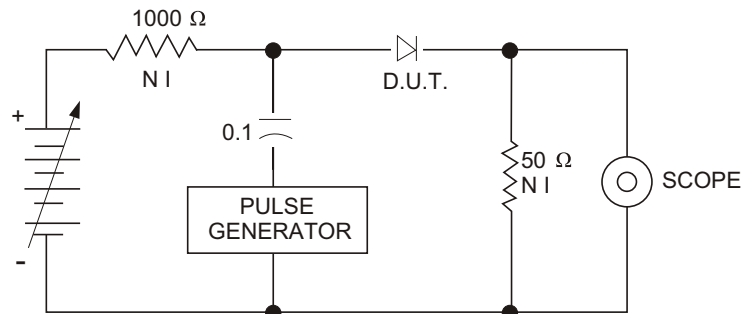
REVERSE RECOVERY TEST METHOD

RECOVERY WAVE FORM



WAVE FORMS

RECOVERY WAVE FORM



CIRCUIT

**ELECTRONIC DEVICES, INC.** DESIGNERS AND MANUFACTURERS OF SOLID STATE DEVICES SINCE 1951.

21 GRAY OAKS AVENUE \* YONKERS, NEW YORK 10710 914-965-4400 \* FAX 914-965-5531 \* 1-800-678-0828

e-mail: sales@ediododes.com \* website: <http://www.ediododes.com>